



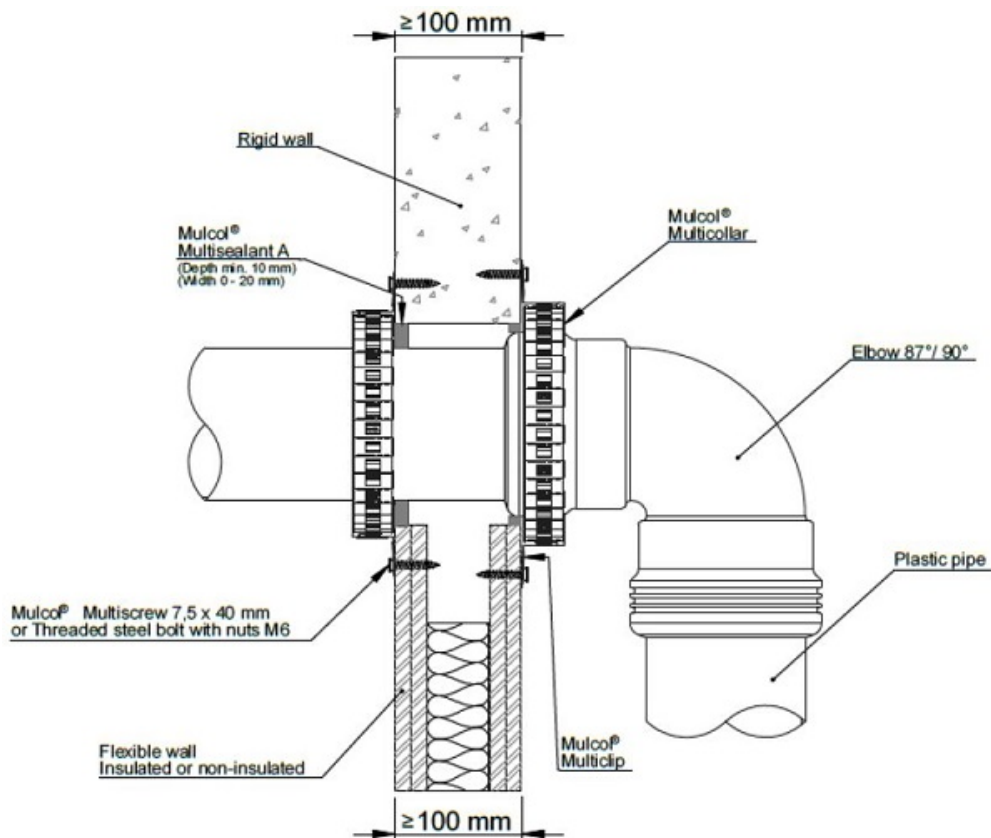
FIRESTOP CENTRE

Authorised New Zealand Distributor
Ph (09) 483 4000 www.firestopcentre.co.nz

Multicollar Slim 100mm Plasterboard or Concrete Wall PVC or PP Pipes with Elbow

Installation Instructions

1. Before installing Mulcol® Multicollar Slim ensure that the surface of all service penetrations and surrounding construction is free from all loose contaminants, dust and grease.
2. Seal the annular gap of up to 20mm with Mulcol Sealant to a minimum depth of 10mm.
3. Use the table on the Multicollar packaging to calculate the number of segments required for the penetrant diameter.
4. Cut the required number of segments from the Multicollar roll and trim the inlay at a slight angle to ensure the stainless steel joints fit together when the collar is placed around the service penetration.
5. Secure the joint with a Multiclip and then attach the remaining Multiclips proportionally around the Multicollar. Use fixings appropriate for the substrate.



warringtonfire

FAS 210306 Page 25 , 41
AS1530.4-2014 AS4072.1-2005

System/FPA Register ID# FC478

Products	Mulcol Multicollar Slim Mulcol Sealant
Application	Fire stopping of PVC, PP pipes with elbows in plasterboard or concrete walls
Construction	Minimum wall thickness of 100 mm

Fire & Sound classification

PVC-U, PVC-C or PP pipes max diameter 125mm	FRR -/90/90
Aquatherm Blue-MF pipes max 110mm with PP-R elbow	FRR -/120/90

Where FRR of wall is less than FRR of the seal, then the lower FRR applies.



Mulcol International BV
Arnesteinweg 18
4338 PD Middelburg
The Netherlands



warringtonfire

ETA 17/0836 FAS 210306 AS1530.4-2014 AS4072.1-2005

As a part of our policy of on-going product development and testing, we reserve the right to modify, alter or change product specifications without giving notice. All information contained in this document is given in good faith and is provided for guidance only. Any drawings provided are for illustrative purposes only. As Mulcol has no control over the methods or competence of installation and of prevailing site conditions, no warranties, expressed or implied, is intended to be given as to the actual performance of the product mentioned or referred to herein and no liability whatsoever will be accepted for any loss, damage or injury arising from the use of the information given.

For all technical details on the products specified please refer to the technical data sheets that can be found on www.firestopcentre.co.nz

Sheet size: A4	Drawn date & no: 19/8/24
Scale: NTS	Drawn by: G.P.